

6. CUT SHEET

FastPlank® System - Invisi-line with Reveals System

FastPlank® is a pressure-equalized aluminum rainscreen cladding system with integrated attachment. Concealed Clip-and-Slide technology and patented connectors accommodate thermal movement while maintaining flatness and preventing gapping or buckling.

FINISH OPTIONS

STOCK SOLID COLORS (4)



CUSTOM COLOR WITH COLORMATCH®



Stock Woodgrains and Solid Colors: ready to ship within 1–2 weeks.
Special Order and Custom Colors: lead time varies depending on project specifics and needs.

FASTPLANK® SYSTEM – ALUMINUM TRIM SYSTEM PROFILES

PLANKS



TRIMS



ATTACHMENT & ACCESSORIES



INSTALLATION

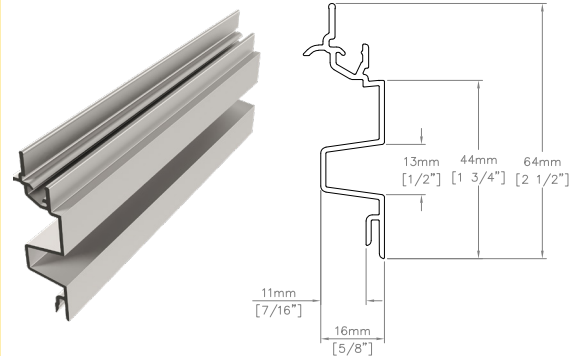
RVT and DWG files are available on our website, engagebp.com

Refer to individual profile cut sheets for detailed dimensions and tolerances.



For additional technical specifications, detailed profiles, and expanded system information, please scan the QR code.

PRODUCT	DOCUMENT	CATEGORY
Fastplank® System	Spec Sheet	Invisi-line with Reveal



P80S - INIVISI-LINE WITH REVEALS

TECHNICAL SPECIFICATIONS

PHYSICAL DATA

Material	6063-T6 Extruded Aluminum
Thickness	15 gauge (0.050 in / 1.27 mm nominal)
Finish	AAMA 2604 or AAMA 2605 compliant coating
Plank Connector	Integrated connector system for continuous runs up to 32 ft (9.75 m)
Attachment Method	Patented Clip & Slide™ Technology
Warranty	20-year Finish Warranty; 50-year Product Warranty
Length	16'-0" (4.88m)
Width	6" (152mm)
Weight (lbs/sqft)	-1.2 lbs/sq.ft. (5.9 kg/m²)
Substrate	Installed over approved sheathing per manufacturer instructions
Compatibility	Installed over approved sheathing per manufacturer instructions
Quantity	10 pcs/box; 6 in planks: 6 pcs/box
Finish	AAMA 2604
Pressure Equalized Rainscreen	AAMA 508
Wind Resistance	ASTM E330 and E283
Water Resistance	ASTM E331
Impact Resistance	Florida Product Code: FLO093-3-1 Miami Dade, Florida, NOA No. 22-0615.01 Expiration Date: April 06, 2028
Impact Testing	TAS 201
Non-Combustible	WUI – California Department of Forestry & Fire Protection Office of the State Fire Marshal Listing No. 8140-2286:0500
Fire Rating	Class A Non-Combustible by ASTM E136 and ASTM E84; CAN/ULC S144-18
Standards/ Codes Compliance	National Building Code of Canada Evaluation; 2024 International Building Code (IBC); 2024 International Residential Code (IRC); 2022 California Building Code (CBC); 2022 California Residential Code (CRC); ICC-ES Evaluation Report